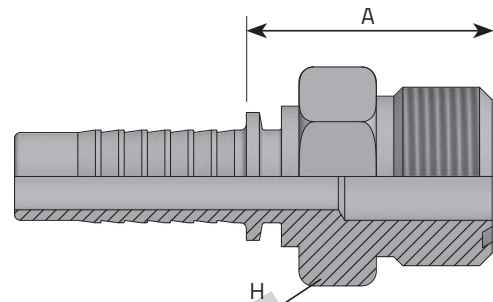




## ORFS MALE

MASCHIO ORFS  
MÂLE ORFS  
AGF ORFS STIRNDICHTEND  
MACHO ORFS



Code	Tube		Thread		Dimensions			Pressure	
	D.N.	Hose	Diam	T	t/1"	H	A	Bar	Psi
	Inch		mm	Inch		mm	mm		
MORFS0406	-4	1/4"	6.4	9/16"	18	17	24	450	6526
MORFS0409	-4	1/4"	6.4	11/16"	16	19	27.5	450	6526
MORFS0509	-5	5/16"	7.9	11/16"	16	19	27.5	350	5076
MORFS0609	-6	3/8"	9.5	11/16"	16	19	27.5	445	6454
MORFS0611	-6	3/8"	9.5	13/16"	16	22	30.5	445	6454
MORFS0613	-6	3/8"	9.5	1"	14	27	33.5	445	6454
MORFS0811	-8	1/2"	12.8	13/16"	16	27	34	415	6019
MORFS0813	-8	1/2"	12.8	1"	14	27	31.5	415	6019
MORFS0814	-8	1/2"	12.8	1.3/16"	16	32	36	415	6019
MORFS1013	-10	5/8"	16	1"	14	27	34	350	5076
MORFS1014	-10	5/8"	16	1.3/16"	12	32	37	350	5076
MORFS1214	-12	3/4"	19	1.3/16"	12	32	38	350	5076
MORFS1215	-12	3/4"	19	1.7/16"	12	41	38.5	350	5076
MORFS1615	-16	1"	25.4	1.7/16"	12	41	39.5	280	4061
MORFS2021	-20	1.1/4"	31.8	1.11/16"	12	46	40	210	3046
MORFS2432	-24	1.1/2"	38.1	2"	12	55	43	185	2683